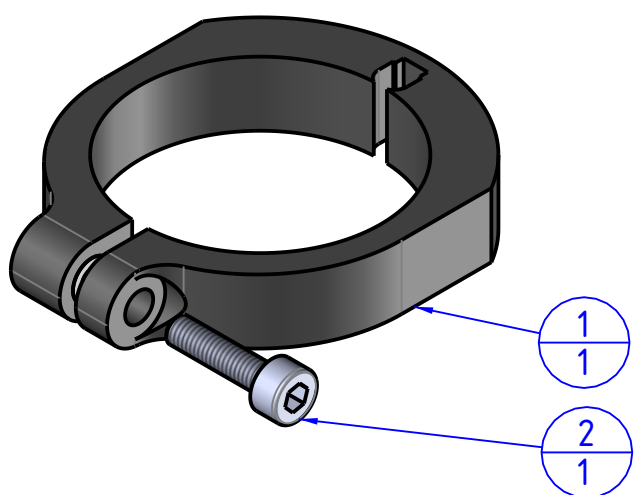
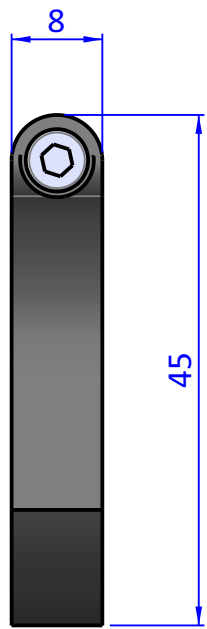
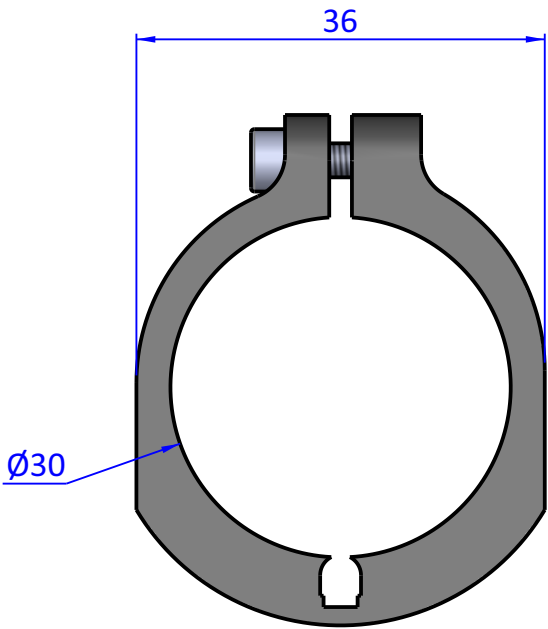

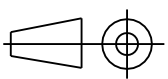


Item	Name	Q.ty
1	SML.30	1
2	V.TCE3x12	1



THE PROPERTY OF THE DRAWING IS ESTABLISHED BY LAW. IT IS FORBIDDEN TO PRODUCE OR SHOW IT TO THIRD PART. WITHOUT A WRITTEN AGREEMENT.

Format A4 UNI 936-76	 FPS SERVICES AUTOMATION			DESIGNED FROM FPS Automation	REVIEW A
	GENERAL TOLERANCE UNI - ISO 2768 CLASSE f		DESCRIPTION CA.SML.30	DATE 30/03/2023	WEIGHT 0,004kg
				CODE CA.SML.30	